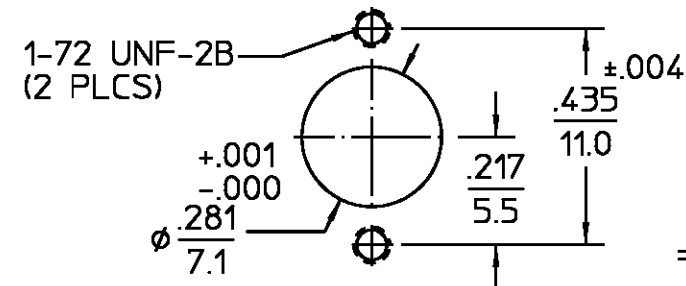
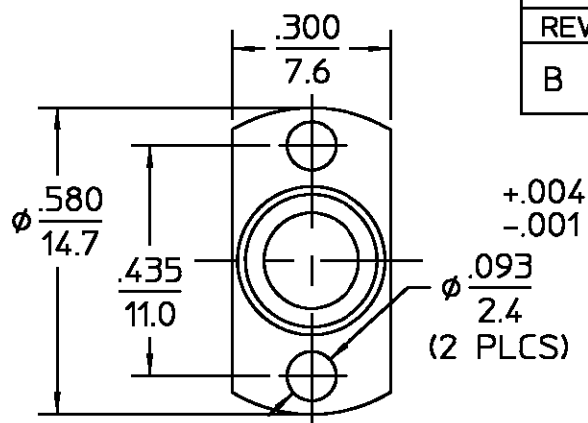


REVISIONS			
REV	DESCRIPTION	DATE	APPROVED
B	PER EC 0U20-0116-01-02	01NOV01	C. Hoang 01NOV01

DESIGNED FOR USE WITH RG-178/U CABLE	
CABLE ENTRY DIAMETER MINIMUM	
CLAMP NUT	.088
FERRULE	.036
CONTACT	.0124

ELECTRICAL	MECHANICAL	ENVIRONMENTAL
Nominal Impedance (Ohms) <u>50</u>	Interface Dimensions PER <u>M/A-COM CATALOG</u>	Temperature Rating <u>-65° TO +105°C</u>
Frequency Range (GHz) DC to <u>18.0</u>	Mating Characteristics:	Vibration MIL-STD-202, Method 204, Condition D
Volt Rating (VRMS MAX) @ Sea Level	Insertion (MAX Lbs) <u>3.0</u>	Shock MIL-STD-202, Method 213, Condition I
VSWR <u>1.05 + .01f(GHz)</u>	Withdrawal (MIN Oz) <u>1.5</u>	Thermal Shock MIL-STD-202, Method 107, Condition B,
Insertion Loss (dB MAX) <u>.04 √f(GHz)</u>	Force to Engage (LBS MAX) <u>3.0</u> & Disengage (In-Lbs MAX) <u>1.5</u>	Moisture Resistance MIL-STD-202, Method 106
RF Leakage (dB MIN) <u>[-90-f(GHz)]</u>	Center Contact Captivation Axial (Lbs) <u>4.0</u>	Corrosion - MIL-STD-202, Method 101, Condition B, 5% salt spray
Corona, 70,000 Ft (VRMS MIN) <u>250</u>	Cable Retention Axial Force (Lbs) <u>10.0</u>	
Dielectric Withstanding Voltage (VRMS MIN) @ Sea Level <u>675</u>		
Contact Resistance (Milliohms MAX) Center Contact <u>6.0</u> Outer Contact <u>3.0</u>		
Cable to Housing <u>0.5</u>		
RF High Potential @ Sea Level (VRMS MIN @ 5 MHz) <u>675</u>		
LR.(Megohms MIN) <u>5,000</u>		

.XXX = in
XX.X = mm (REF)



RECOMMENDED MOUNTING HOLE

COMPONENT	MATERIAL	FINISH
HOUSING	STAINLESS STEEL PER ASTM-A484 AND ASTM-A582, TYPE 303	PASSIVATE PER QQ-P-35
DIELECTRIC	PTFE FLUOROCARBON PER ASTM-D-1457	N/A
DIELECTRIC	NYLON	N/A
CENTER CONTACT	BRASS PER ASTM-B-16, HALF HARD	GOLD PLATE PER MIL-G-45204
CONTACT RING	BERYLLIUM COPPER PER ASTM-B-194, ALLOY C17200, CONDITION H	GOLD PLATE PER MIL-G-45204
CONTACT SLEEVE	BERYLLIUM COPPER PER ASTM-B-196, ALLOY C17300, CONDITION H	GOLD PLATE PER MIL-G-45204
SPRING	STAINLESS STEEL	PASSIVATE PER QQ-P-35
CLAMP NUT BUSHINGS FERRULE	BRASS PER ASTM-B-16, HALF HARD	NICKEL PLATE QQ-N-290
SHRINK TUBING	HEAT SHRINKABLE POLYOLEFIN COMPOUND MIL-I-23053/4	N/A

UNLESS OTHERWISE SPECIFIED DIMENSIONS ARE IN INCHES FRAC. ± 1/64 DEC. ±.005 ANGLES ± 1°	DRAWN BY JB	DATE 12-17-86		AMP Incorporated	
	CHECKED BY MH/M	3-6-87		140 Fourth Avenue Waltham, MA 02451-7599	
	APPD BY BAR	3-12-87			
These drawings and specifications are the property of M/A COM Interconnect Div. and shall not be reproduced or copied or used in whole or in part as the basis for the manufacture or sale of item(s) without written permission.	USE ASSY PROCEDURE	408-04653 (47-010)	TITLE "OSSP" FLOATING FLANGE MOUNT CABLE JACK-EMLOCK ATTACHMENT		REV 02
	NO. A.P.		SIZE B	CODE IDENT NO. 26805	4706-5005-02
	SCALE 3:1		SHEET 1 OF 1		

CUSTOMER DRAWING

AMP PART # 1061835-1
SHEET 1 OF 1 REV B